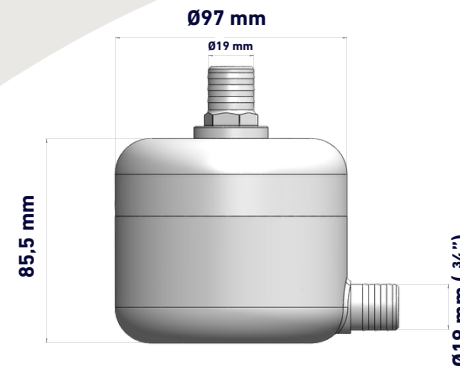


**A simple design** weighing 2.2 lbs (1.3 kg), with a fin diameter of 58 mm.

**A moving magnet pump** that works with 8 parts, none of which are rotating.

**Totally sealed operation** with a nominal pressure of 4.4 psi (0.3 bar) and a nominal flow rate of 2.4 gpm (9 L/min).

[finxmotors.com](http://finxmotors.com) | [sales@finxmotors.com](mailto:sales@finxmotors.com)

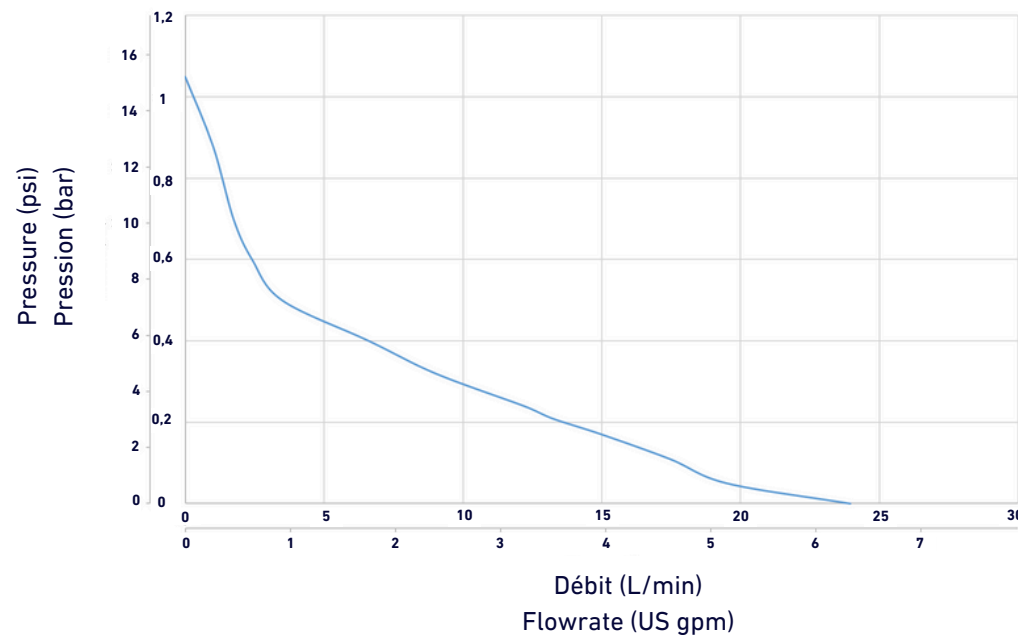
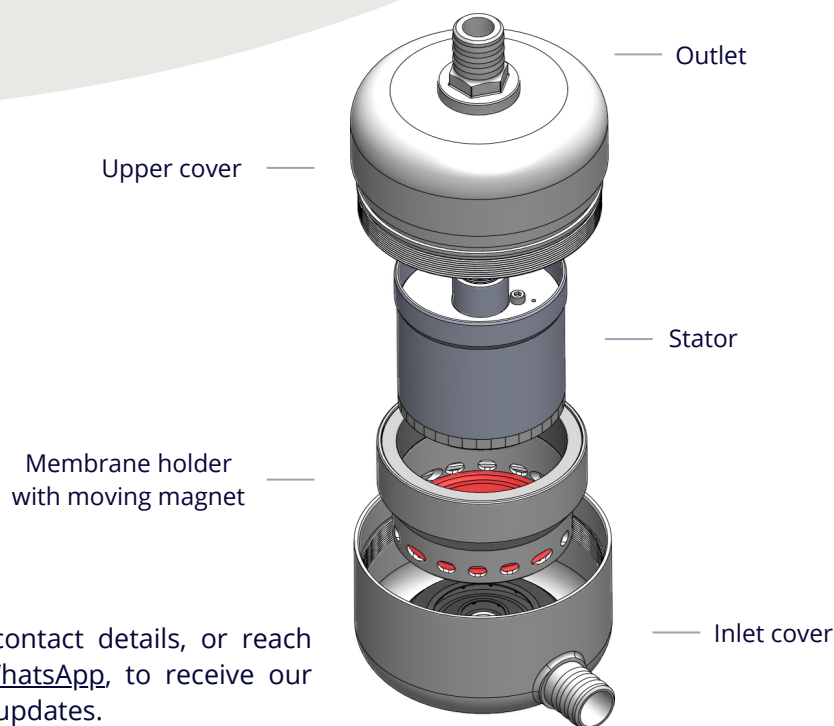


Flowrate		Differential pressure		Self-priming	Max. particules size	Run-dry	Nominal voltage	Nominal current	Nominal consumption	IP
Nominal	Max	Nominal	Max							
9 L / min 2.4 US gpm	24 L / min 6.3 US gpm	0.3 bar 4.4 psi	1 bar 14.5 psi	1,5m*1	4 mm	15 sec	24 Vdc*2	8.3 A	200 W	IP68*3

\*1 More in option

\*2 Also available at 48 Vdc, 110 Vac 60Hz, 230 Vac 50Hz

\*3 Double O-ring on pumphead in option



Leave us your contact details, or reach out to us on [WhatsApp](#), to receive our latest news and updates.